

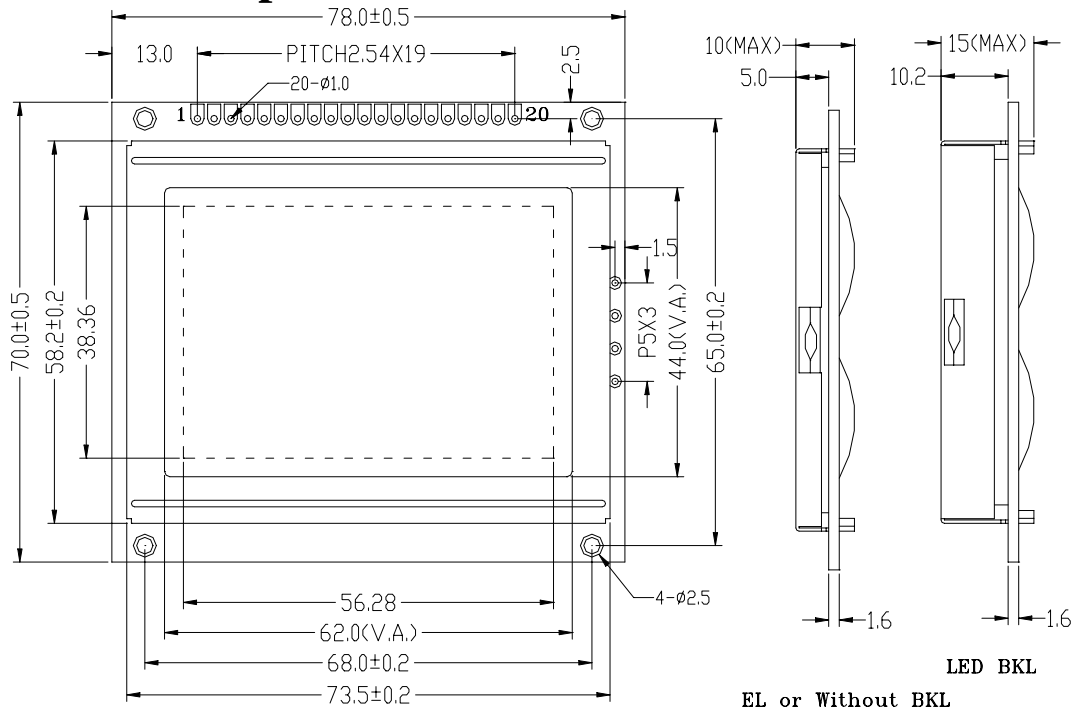
## GDM12864B

## SPECIFICATIONS OF LCD MODULE

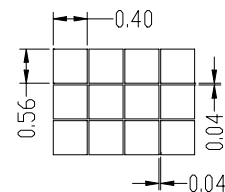
### Features

- Display format: 128\*64 dots matrix graphic
- Easy interface with 8-bit MPU
- Low power consumption
- LED backlight
- Driving method : 1/64 duty , 1/6.7 bias
- Controller IC: S6B0108

### Mechanical Specifications (Unit: mm)



PIN	1	2	3	4	5	6	7	8	9	10
SIGNAL	/CSA/CSB	VSS	VDD	V0	D/I	R/W	E	DB0	DB1	
PIN	11	12	13	14	15	16	17	18	19	20
SIGNAL	DB2	DB3	DB4	DB5	DB6	DB7	/RST	VEE	A	K



Unit: mm

### Temperature Characteristics

Parameter	Symbol	Rating	Unit
Operating temperature	Topr	0 ~ +50	°C
Storage temperature	Tstg	-10 ~ +60	°C

\*Wide temperature range is available

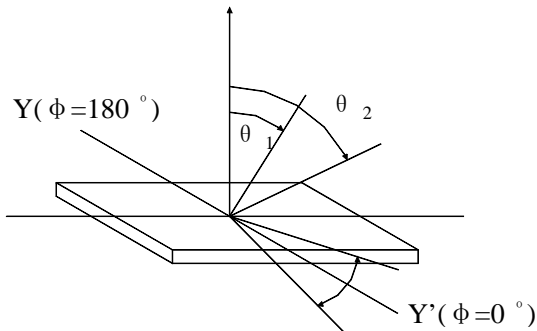
(operating/storage temperature as -20~+70/-30~+80°C)

# Electro-Optical characteristics

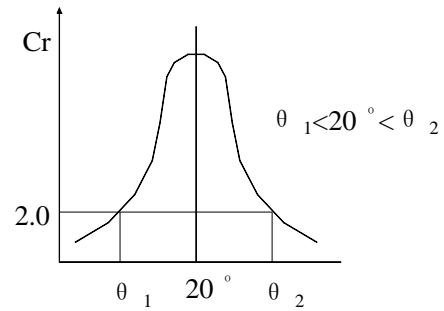
## STN Type (Super Twisted Nematic )

Item	Symbol	Min.	Typ.	Max.	Unit	Condition	Note
Viewing Angle	$\frac{\theta_2 - \theta_1}{\phi}$	70 -90	-	+90	deg.	Cr = 2.0	1,2
Contrast Ratio	Cr	-	4	-	-	$\theta = 20^\circ$ $\phi = 0^\circ$	3
Response Time (rise)	$t_R$	-	110	-	ms	$\theta = 20^\circ$ $\phi = 0^\circ$	4
Response Time (fall)	$t_F$	-	110	-	ms	$\theta = 20^\circ$ $\phi = 0^\circ$	4

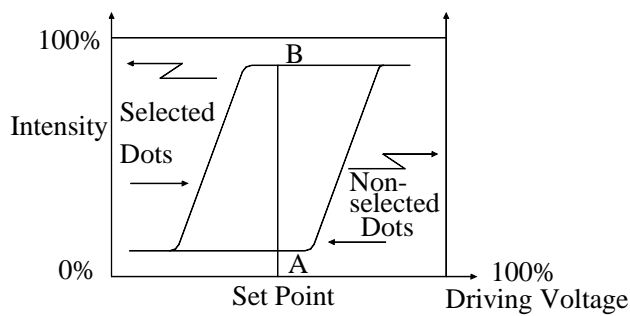
### 1. Definition of angle $\theta$ & $\phi$



### 2. Definition of viewing angle $\theta_1$ & $\theta_2$



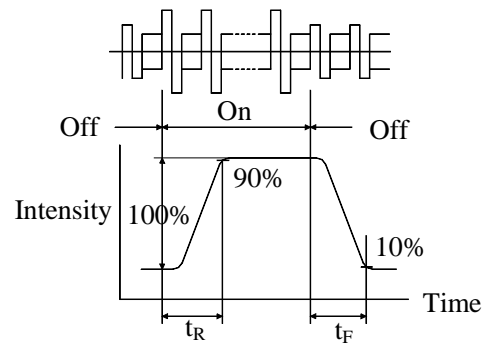
### 3. Definition of contrast Cr



$$Cr = (A/B)^P$$

Negative : P = -1  
Positive : P = +1

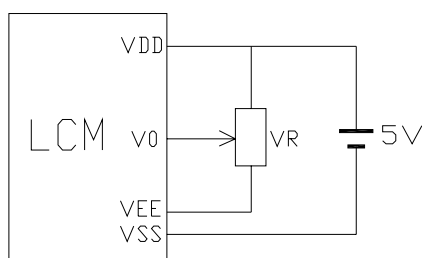
### 4. Definition of optical response



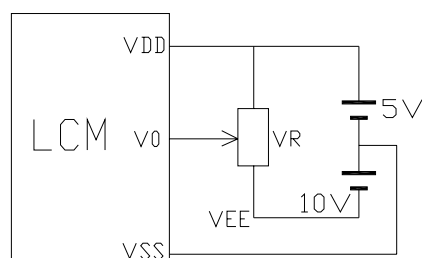
# Interface Pin Connections

Pin No.	Symbol	I/O Type	Description																				
1 2	/CSA /CSB	I	Chip selection When CS1=L,CS2=H, select IC1 When CS1=H,CS2=L, select IC2																				
3	VSS	Supply	Ground																				
4	VDD	Supply	Power supply																				
5	V0	Supply	LCD driver supply voltage																				
6	D/I		Data input/output pin of internal shift register  <table border="1"> <thead> <tr> <th>MS</th> <th>SHL</th> <th>DIO1</th> <th>DIO2</th> </tr> </thead> <tbody> <tr> <td>H</td> <td>H</td> <td>Output</td> <td>Output</td> </tr> <tr> <td>H</td> <td>L</td> <td>Output</td> <td>Output</td> </tr> <tr> <td>L</td> <td>H</td> <td>Input</td> <td>Output</td> </tr> <tr> <td>L</td> <td>L</td> <td>Output</td> <td>Input</td> </tr> </tbody> </table>	MS	SHL	DIO1	DIO2	H	H	Output	Output	H	L	Output	Output	L	H	Input	Output	L	L	Output	Input
MS	SHL	DIO1	DIO2																				
H	H	Output	Output																				
H	L	Output	Output																				
L	H	Input	Output																				
L	L	Output	Input																				
7	R/W		Read or Write  <table border="1"> <thead> <tr> <th>RW</th> <th>Description</th> </tr> </thead> <tbody> <tr> <td>H</td> <td>Data appears at DB[7:0] and can be read by the CPU while  E= H CS1B=L,CS2B=L and CS3=H.</td> </tr> <tr> <td>L</td> <td>Display data DB[7:0] can be written at falling edge of E when CS1B=L, CS2B=L and CS3=H.</td> </tr> </tbody> </table>	RW	Description	H	Data appears at DB[7:0] and can be read by the CPU while  E= H CS1B=L,CS2B=L and CS3=H.	L	Display data DB[7:0] can be written at falling edge of E when CS1B=L, CS2B=L and CS3=H.														
RW	Description																						
H	Data appears at DB[7:0] and can be read by the CPU while  E= H CS1B=L,CS2B=L and CS3=H.																						
L	Display data DB[7:0] can be written at falling edge of E when CS1B=L, CS2B=L and CS3=H.																						
8	E		Enable signal  <table border="1"> <thead> <tr> <th>E</th> <th>Description</th> </tr> </thead> <tbody> <tr> <td>H</td> <td>Read data in DB[7:0] appears while E= "High".</td> </tr> <tr> <td>L</td> <td>Display data DB[7:0] is latched at falling edge of E.</td> </tr> </tbody> </table>	E	Description	H	Read data in DB[7:0] appears while E= "High".	L	Display data DB[7:0] is latched at falling edge of E.														
E	Description																						
H	Read data in DB[7:0] appears while E= "High".																						
L	Display data DB[7:0] is latched at falling edge of E.																						
9~16	DB0~ DB7	I/O	Data bus [0~7] Bi-directional data bus																				
17	/RST	I	Reset signal. When RSTB=L  <b>【1】</b> ON/OFF register becomes set by 0.(display off) <b>【2】</b> display start line register becomes set by 0 (Z-address 0 set, display from line 0) <b>【3】</b> After releasing reset , this condition can be changed only by instruction.																				
18	VEE	Power	VEE is connected by the same voltage.																				
19	A		Back-light anode																				
20	K		Back-light cathode																				

## CONTRAST ADJUST



(a) Building DC/DC



(b) Without DC/DC

$V_{DD}$ - $V_0$ : LCD Driving voltage

VR: 10k~20k

## Electrical Absolute Maximum Ratings (S6B0107)

Parameter	Symbol	Rating	Unit	Note
Operating voltage	V <sub>DD</sub>	-0.3 ~ +7.0	V	*1
Supply voltage	V <sub>EE</sub>	V <sub>DD</sub> -19.0 ~ V <sub>DD</sub> +0.3	V	*4
Driver supply voltage	V <sub>B</sub>	-0.3 ~ V <sub>DD</sub> +0.3	V	*1,2
	V <sub>LCD</sub>	V <sub>EE</sub> -0.3 ~ V <sub>DD</sub> +0.3	V	*3,4

### \*Notes:

- \*1. Based on V<sub>SS</sub> = 0V
- \*2. Applies to input terminals and I/O terminals at high impedance. (Except V<sub>0L</sub>, V<sub>1L</sub>, V<sub>4L</sub>, and V<sub>5L</sub>)
- \*3. Applies to V<sub>0L</sub>, V<sub>1L</sub>, V<sub>4L</sub>, and V<sub>5L</sub>.
- \*4. Voltage level: V<sub>DD</sub> ≥ V<sub>0</sub> ≥ V<sub>1</sub> ≥ V<sub>2</sub> ≥ V<sub>3</sub> ≥ V<sub>4</sub> ≥ V<sub>5</sub> ≥ V<sub>EE</sub>

## DC Electrical Characteristics(S6B0107)

(V<sub>DD</sub>= 4.5 to 5.5V, V<sub>SS</sub>=0V, V<sub>DD</sub>-V<sub>EE</sub>=8~17V, T<sub>a</sub>= -30 to +85°C)

Item	Symbol	Condition	Min.	Typ.	Max.	Unit	Note
Operating voltage	V <sub>DD</sub>	-	4.5	-	5.5	V	
Input voltage	V <sub>IH</sub>	-	0.7V <sub>DD</sub>	-	V <sub>DD</sub>		*1
	V <sub>IL</sub>	-	V <sub>SS</sub>	-	0.3V <sub>DD</sub>		
output voltage	V <sub>OH</sub>	I <sub>OH</sub> = -0.4mA	V <sub>DD</sub> -0.4	-	-	μA	*2
	V <sub>OL</sub>	I <sub>OL</sub> = 0.4mA	-	-	0.4		
Input leakage current	I <sub>LKG</sub>	V <sub>IN</sub> = V <sub>DD</sub> ~ V <sub>SS</sub>	-1.0	-	+1.0		*1
OSC Frequency	f <sub>osc</sub>	R <sub>f</sub> =47k Ω ± 2% C <sub>f</sub> =20pF ± 5%	315	450	585	kHz	
On Resistance (V <sub>div</sub> -C <sub>i</sub> )	R <sub>ONS</sub>	V <sub>DD</sub> -V <sub>EE</sub> =17V Load current ± 150μA	-	-	1.5	k Ω	
Operating current	I <sub>DD1</sub>	Master mode 1/128 Duty	-	-	1.0	mA	*3
	I <sub>DD2</sub>	Master mode 1/128 Duty	-	-	0.2		*4
Supply Current	I <sub>EE</sub>	Master mode 1/128 Duty	-	-	0.1		
Operating Frequency	f <sub>op1</sub>	Master mode External Duty	50	-	600	kHz	
Frequency	f <sub>op2</sub>	Slave mode	0.5	-	1500		

### Notes

- \*1. Applies to input terminals FS, DS1, DS2, CR, SHL, MS and PCLK2 and I/O terminals DIO1, DIO2, M, and CL2 in the input state.
- \*2. Applies to output terminals CLK1, CLK2 and FRM and I/O terminals DIO1, DIO2, M, and CL2 in the output state.
- \*3. This value is specified about current flowing through V<sub>ss</sub>.  
Internal oscillation circuit: R<sub>f</sub>=47k Ω, c<sub>f</sub>=20pF  
Each terminals of DS1, DS2, FS, SHL, and MS is connected to V<sub>DD</sub> and out is no load.
- \*4. This value is specified about current flowing through V<sub>ss</sub>.  
Each terminals is DS1, DS2, FS, SHL, PCLK2 and CR is connected to V<sub>DD</sub>.MS is connected to V<sub>SS</sub> and CL2, M, DIO1 is external clock.
- \*5. This value is specified about current flowing through V<sub>EE</sub>. Don't connect to V<sub>LCD</sub> (V<sub>1</sub>~V<sub>5</sub>).

## Electrical Absolute Maximum Ratings(S6B0108)

Parameter	Symbol	Rating	Unit	Note
Operating voltage	V <sub>DD</sub>	-0.3 ~ +7.0	V	*1
Supply voltage	V <sub>EE</sub>	V <sub>DD</sub> -19.0 ~ V <sub>DD</sub> +0.3	V	*4
Driver supply voltage	V <sub>B</sub>	-0.3 ~ V <sub>DD</sub> +0.3	V	*1,3
	V <sub>LCD</sub>	V <sub>EE</sub> -0.3 ~ V <sub>DD</sub> +0.3	V	*2

### \*Notes:

- \*1. Based on V<sub>SS</sub> = 0V
- \*2. Applies the same supply voltage to V<sub>EE</sub>. V<sub>LCD</sub>=V<sub>DD</sub>-V<sub>EE</sub>.
- \*3. Applies to M, FRM, CLK1,CLK2, CL, RESETB, ADC, CS1B, CS2B,CS3, E, R/W, RS and DB0~DB7.
- \*4. Applies V0L,V2L,V3L and V5L.

Voltage level: V<sub>DD</sub> ≥ V0 ≥ V1 ≥ V2 ≥ V3 ≥ V4 ≥ V5 ≥ V<sub>EE</sub>

## DC Electrical Characteristics(S6B0108)

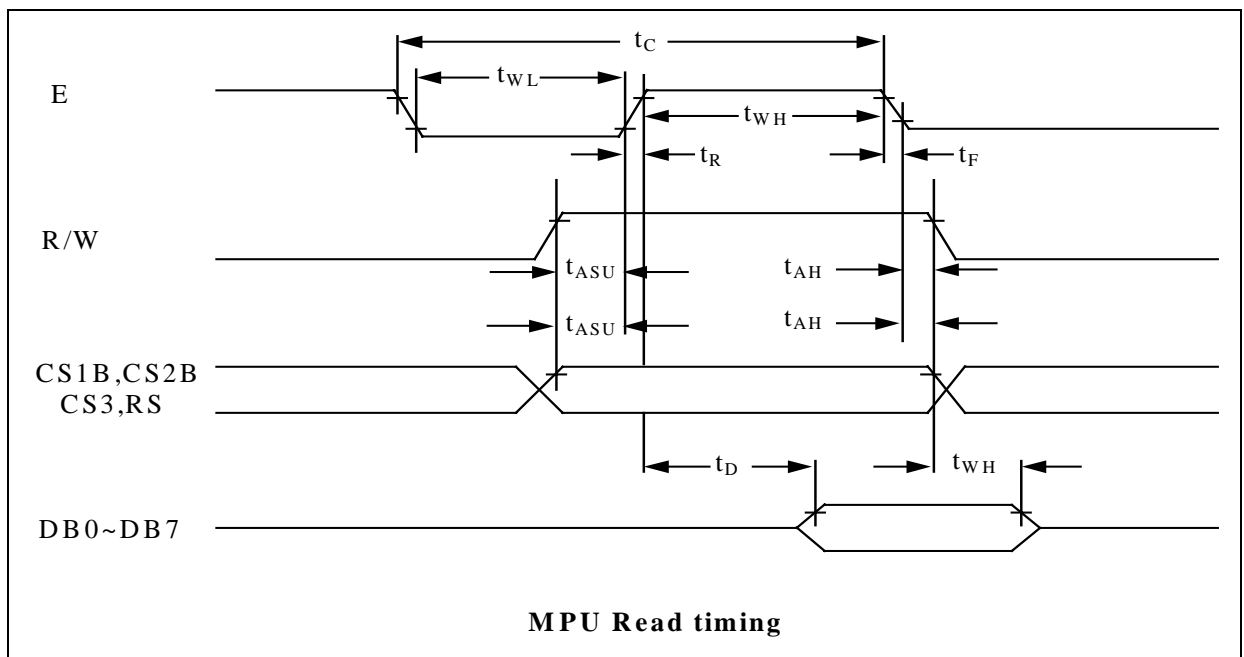
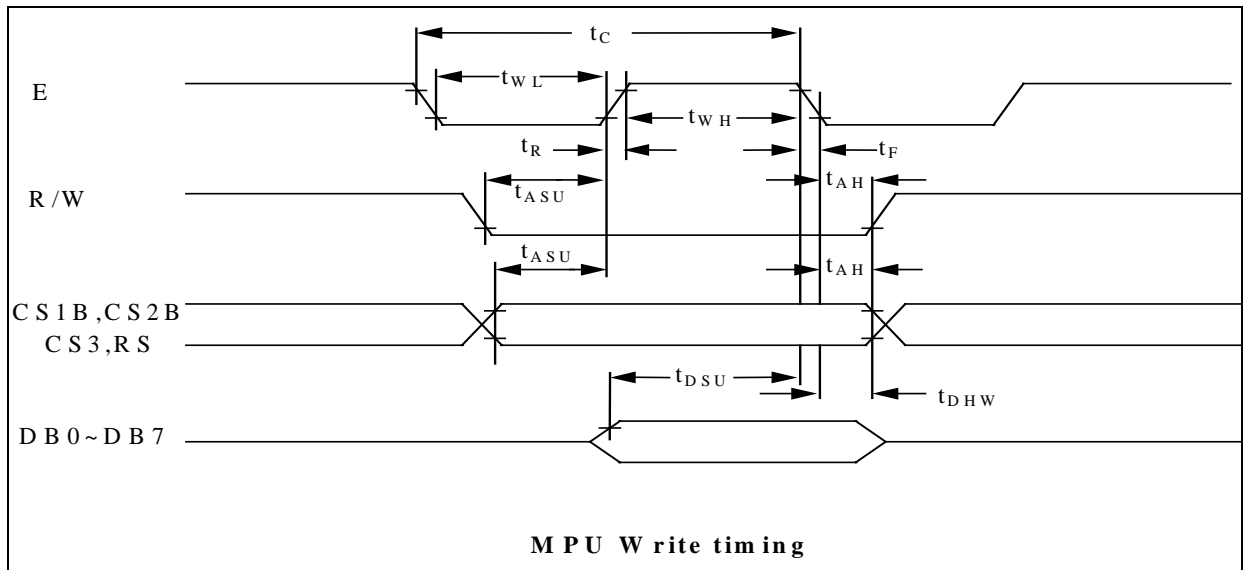
(VDD= 4.5 to 5.5V, VSS=0V, VDD-VEE=8~17V, Ta= -30 to +85°C)

Item	Symbol	Condition	Min.	Typ.	Max.	Unit	Note
Operating voltage	V <sub>DD</sub>	-	4.5	-	5.5	V	
Input High voltage	V <sub>IH1</sub>	-	0.7V <sub>DD</sub>	-	V <sub>DD</sub>		*1
	V <sub>IH2</sub>	-	2.0	-	V <sub>DD</sub>		*2
Input Low voltage	V <sub>IL1</sub>	-	0	-	0.3V <sub>DD</sub>		*1
	V <sub>IL2</sub>	-	0	-	0.8		*2
Output High Voltage	V <sub>OH</sub>	I <sub>OH</sub> = -0.2mA	2.4	-	-		*3
Output Low Voltage	V <sub>OL</sub>	I <sub>OL</sub> = 1.6mA	-	-	0.4	*3	
Input leakage current	I <sub>LKG</sub>	V <sub>IN</sub> = V <sub>SS</sub> ~ V <sub>DD</sub>	-1.0	-	+1.0	μA	*4
Three-state (OFF) Input Current	I <sub>TSL</sub>	V <sub>IN</sub> = V <sub>SS</sub> ~ V <sub>DD</sub>	-5.0	-	5.0		*5
Driver Input leakage current	I <sub>DIL</sub>	V <sub>IN</sub> = V <sub>EE</sub> ~ V <sub>DD</sub>	-2.0		2.0		*6
On Resistance (Vdiv-Ci)	R <sub>ONS</sub>	V <sub>DD</sub> -V <sub>EE</sub> =15V Load current ±100μA	-	-	7.5	kΩ	*8
Operating current	I <sub>DD1</sub>	During Display	-	-	0.1	mA	*7
	I <sub>DD2</sub>	During Access Access Cycle=1MHz	-	-	0.5		*7

### Notes

- \*1. CL, FRM, M, RSTB, CLK1, CLK2
- \*2. CS1B, CS2B, CS3, E, R/W, RS, DB0~DB7
- \*3. DB0~DB7
- \*4. Except DB0~DB7
- \*5. DB0~DB7 at high impedance
- \*6. V0, V1, V3, V3, V4, V5
- \*7. 1/64 duty, FCLK=250KHZ, Frame Frequency=70HKZ, Output: No Load
- \*8. V<sub>DD</sub>-V<sub>EE</sub>=15.5V  
V0L>V2L>= V<sub>DD</sub>-2/7(V<sub>DD</sub>-V<sub>EE</sub>)>V3L= V<sub>EE</sub>+2/7(V<sub>DD</sub>-V<sub>EE</sub>)>V5L

Characteristic	Symbol	Min	Tvp	Max	Unit
E Cycle	$t_c$	1000	-	-	ns
E High Level Width	$t_{WH}$	450	-	-	
E Low Level Width	$t_{WL}$	450	-	-	
E Rise Time	$t_R$	-	-	25	
E Fall Time	$t_F$	-	-	25	
Address Set-Up Time	$t_{ASU}$	140	-	-	
Address Hold Time	$t_{AH}$	10	-	-	
Data Set-Up Time	$t_{SU}$	200	-	-	
Data Delay Time	$t_D$	-	-	320	
Data Hold Time (Write)	$t_{DHW}$	10	-	-	
Data Hold Time (Read)	$t_{DHR}$	20	-	-	



# OPERATING PRINCIPLES & METHODS

## 1. I/O Buffer

Input buffer controls the status between the enable and disable of chip. Unless the CS1B to CS3 is in active mode, Input or output of data and instruction does not execute. Therefore internal state is not change. But RSTB and ADC can operate regardless CS1B-CS3.

## 2. Input register

Input register is provided to interface with MPU which is different operating frequency. Input register stores the data temporarily before writing it into display RAM.

When CS1B to CS3 are in the active mode, R/W and RS select the input register. The data from MPU is written into input register. Then writing it into display RAM. Data latched for falling of the E signal and write automatically into the display data RAM by internal operation.

## 3. Output register

Output register stores the data temporarily from display data RAM when CS1B, CS2B and CS3 are in active mode and R/W and RS=H, stored data in display data RAM is latched in output register. When CS1B to CS3 is in active mode and R/W=H, RS=L, status data (busy check) can read out.

To read the contents of display data RAM, twice access of read instruction is needed. In first access, data in display data RAM is latched into output register. In second access, MPU can read data which is latched. That is to read the data in display data RAM, it needs dummy read. But status read is not needed dummy read.

RS	R/W	Function
L	L	Instruction
	H	Status read (busy check)
H	L	Data write (from input register to display data RAM)
	H	Data read (from display data RAM to output register)

## 4. Reset

The system can be initialized by setting RSTB terminal at low level when turning power on, receiving instruction from MPU. When RSTB becomes low, following procedure is occurred.

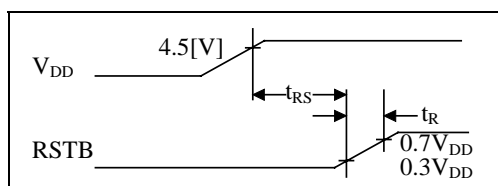
1. Display off
2. Display start line register become set by 0.(Z-address 0)

While RSTB is low, No instruction except status read can be accepted. Therefore, execute other instructions after making sure that DB4= (clear RSTB) and DB7=0 (ready) by status read instruction.

The conditions of power supply at initial power up are shown in table 1.

Table 1. Power Supply Initial Conditions

Item	Symbol	Min	Typ	Max	Unit
Reset Time	$t_{RS}$	1.0	-	-	us
Rise Time	$t_R$	-	-	200	ns



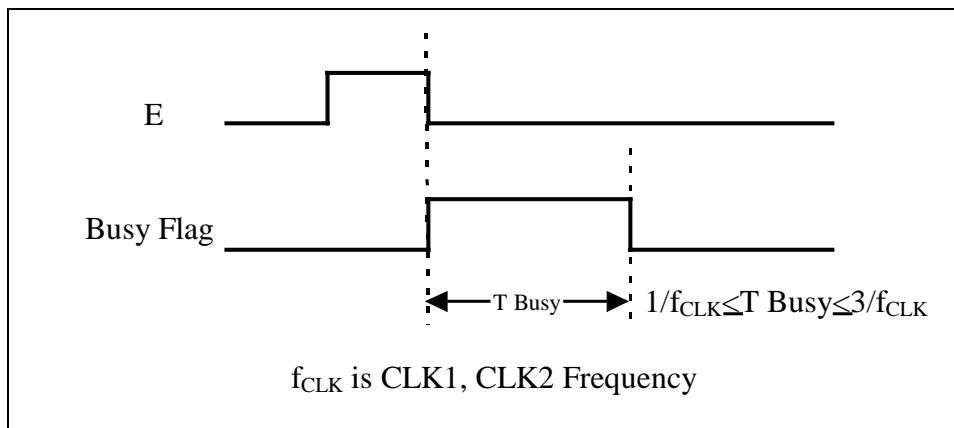
## 5. Busy flag

Busy flag indicates that KS0108B is operating or no operating. When busy flag is high, KS0108B is in

internal operating .

When busy flag is low, KS0108B can accept the data or instruction.

DB7 indicates busy flag of the KS0108B.



## 6. Display On/Off Flip-Flop

The display on/off flip-flop makes on/off the liquid crystal display. When flip-flop is reset (logical low), selective voltage or non selective voltage appears on segment output terminals. When flip-flop is set (logic high), non selective voltage appears on segment output terminals regardless of display RAM data. The display on/off flip-flop can changes status by instruction. The display data at all segment disappear while RSTB is low.

The status of the flip-flop is output to DB5 by status read instruction.

The display on/off flip-flop synchronized by CL signal.

## 7. X Page Register

X page register designates pages of the internal display data RAM.

Count function is not available. An address is set by instruction.

## 8. Y address counter

Y address counter designates address of the internal display data RAM. An address is set by instruction and is increased by 1 automatically by read or write operations of display data.

## 9. Display Data RAM

Display data RAM stores a display data for liquid crystal display. To indicate on state dot matrix of liquid crystal display , write data 1. The other way , off state, writes 0.

Display data RAM address and segment output can be controlled by ADC signal.

ADC=H => Y-address 0: S1~Y address 63: S64

ADC=L => Y-address 0: S64~Yaddress 63: S1

ADC terminal connect the  $V_{DD}$  or  $V_{SS}$ .

## 10. Display Start Line Register

The display start line register indicates of display data RAM to display top line of liquid crystal display.

Bit data (DB<0.5>) of the display start line set instruction is latched in display start line register. Latched data is transferred to the Z address counter while FRM is high, presetting the Z address counter.

It is used for scrolling of the liquid crystal display screen.



# Display Control Instruction

The display control instructions control the internal state of the KS0108B. Instruction is received from MPU to KS0108B for the display control. The following table shows various instructions.

Instruction	RS	RW	DB7	DB6	DB5	DB4	DB3	DB2	DB1	DB0	Function
Read Display Date	1	1	Read data								Reads data (DB[7:0]) from display data RAM to the data bus.
Write Display Date	1	0	Write data								Writes data (DB[7:0]) into the DDRAM. After writing instruction, Y address is incremented by 1 automatically
Status Read	0	1	Busy	0	ON/OFF	Re-set	0	0	0	0	Reads the internal status BUSY 0: Ready 1: In operation ON/OFF 0: Display ON 1: Display OFF RESET 0: Normal 1: Reset
Set Address (Y address)	0	0	0	1	Y address (0~63)						Sets the Y address at the column address counter
Set Display Start Line	0	0	1	1	Display start line (0~63)						Indicates the Display Data RAM displayed at the top of the screen.
Set Address (X address)	0	0	1	0	1	1	1	Page (0~7)			Sets the X address at the X address register.
Display On/off	0	0	0	0	1	1	1	1	1	0/1	Controls the display ON or OFF. The internal status and the DDRAM data is not affected. 0: OFF, 1: ON

## 1. Display On/Off

The display data appears when D is 1 and disappears when D is 0. Though the data is not on the screen with D=0, it remains in the display data RAM. Therefore, you can make it appear by changing D=0 into D=1.

RS	R/W	DB7	DB6	DB5	DB4	DB3	DB2	DB1	DB0
0	0	0	0	1	1	1	1	1	D

## 2. Set Address (Y Address)

Y address (AC0~AC5) of the display data RAM is set in the Y address counter. An address is set by instruction and increased by 1 automatically by read or write operations of display data.

RS	R/W	DB7	DB6	DB5	DB4	DB3	DB2	DB1	DB0
0	0	0	1	AC5	AC4	AC3	AC2	AC1	AC0

## 3. Set Page (X Address)

X address (AC0~AC2) of the display data RAM is set in the X address register.  
 Writing or reading to or from MPU is executed in this specified page until the next page is set.

RS	R/W	DB7	DB6	DB5	DB4	DB3	DB2	DB1	DB0
0	0	1	0	1	1	1	AC2	AC1	AC0

#### 4. Display Start Line (Z Address)

Z address (AC0~AC5) of the display data RAM is set in the display start line register and displayed at the top of the screen.

When the display duty cycle is 1/64 or others (1/32~1/64), the data of total line number of LCD screen, from the line specified by display start line instruction, is displayed.

RS	R/W	DB7	DB6	DB5	DB4	DB3	DB2	DB1	DB0
0	0	1	1	AC5	AC4	AC3	AC2	AC1	AC0

#### 5. Status Read

RS	R/W	DB7	DB6	DB5	DB4	DB3	DB2	DB1	DB0
1	0	BUSY	0	ON/OFF	RESET	0	0	0	0

- BUSY  
 When BUSY is 1, the Chip is executing internal operation and no instructions are accepted.  
 When BUSY is 0, the Chip is ready to accept any instructions.
- ON/OFF  
 When ON/OFF is 1, the display is on.  
 When ON/OFF is 0, the display is off.
- RESET  
 When RESET is 1, the system is being initialized.  
 In this condition, no instructions except status read can be accepted.  
 When RESET is 0, initializing has finished and the system is in the usual operation condition.

#### 6. Write Display Data

Writes data (D0~D7) into the display data RAM.  
 After writing instruction, Y address is increased by 1 automatically.

RS	R/W	DB7	DB6	DB5	DB4	DB3	DB2	DB1	DB0
1	0	D7	D6	D5	D4	D3	D2	D1	D0

#### 7. Read Display Data

Reads data (D0~D7) from the display data RAM.  
 After reading instruction, Y address is increased by 1 automatically.

RS	R/W	DB7	DB6	DB5	DB4	DB3	DB2	DB1	DB0
1	1	D7	D6	D5	D4	D3	D2	D1	D0